

User guide

fasttel[®]

FT25K



1. What it is

The FT25K is a stand alone or Wiegand keypad . The outdoor unit FT25K consists of a glass touch panel and an aluminium frame. In combination with the FT25KINT it offers 2 stand alone relays. Without the FT25KINT the FT25K can and must be used with the wiegand output to any access control system.

As stand alone 40 codes can be programmed consisting of 4, 5 or 6 cyphers. The FT25K also offers 2 inputs to activate the 2 relays.

Order codes:

FT25K: outdoor keypad

FT25KBIS: flush mounted frame

FT25KBUS: surface mounted frame

FT25KINT: internal module with 2 relays (not needed if Wiegand is used)

2. connections

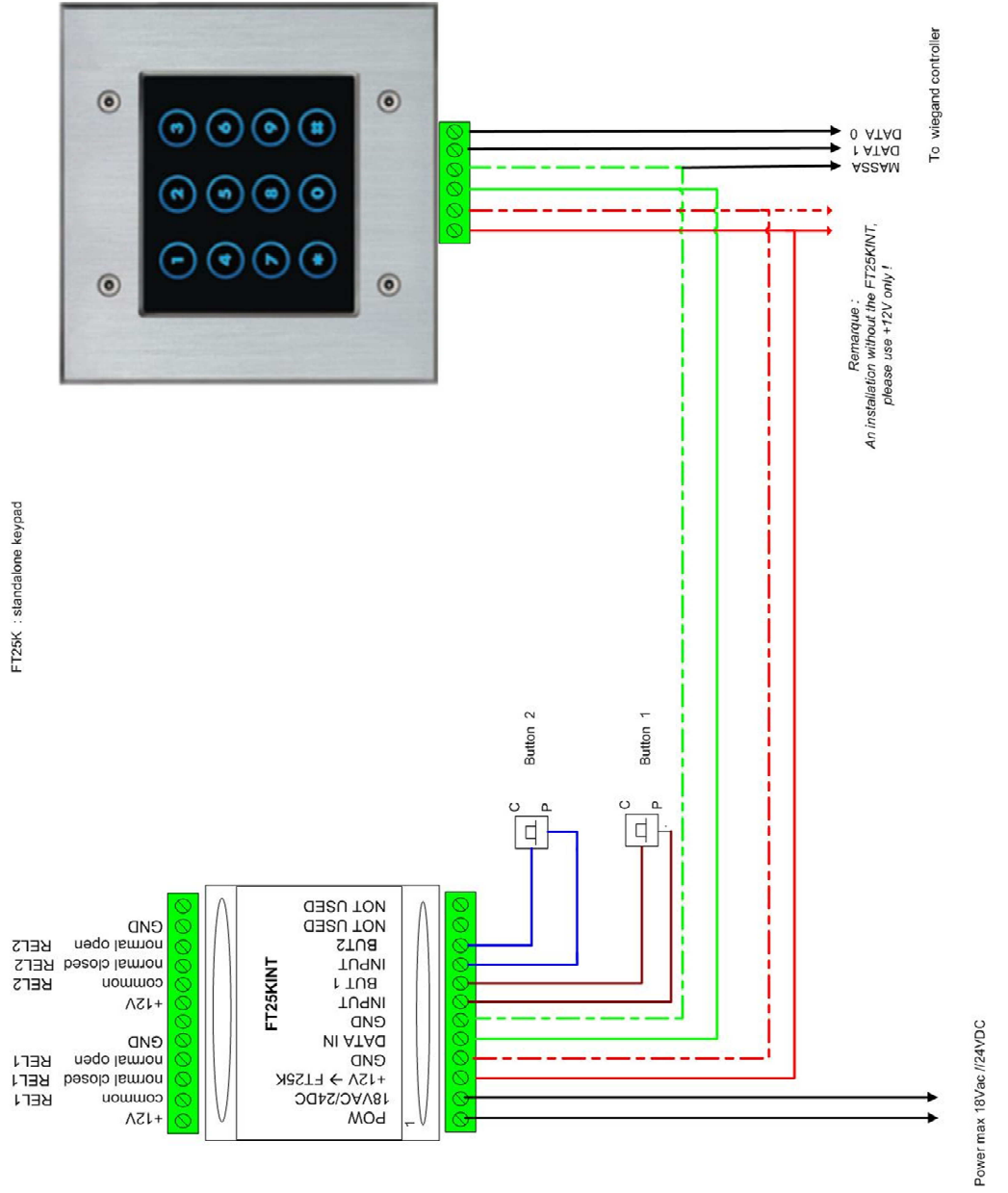
See next page.

When the Wiegand output is used, the FT25KINT is not needed. In this case the FT25K needs +12VDC power supply.



FT25K : standalone keypad

FT25K



3. Programmation

To get into programmation mode you should enter

1996 (default password)

After entering above code you should hear 3 tones → tit tit tut

After that chose the desired mode:

930 : activate stand alone modus in combination with FT25KINT (default)

931 : external mode (choice of the Wiegand protocol by code 933)

then for stand alone mode: 920*iaaxxxxx# :

where i = 1 or 2

for relay 1-> i= 1 and for relay2 -> i= 2 .

aa = code index 01 .. 40

xxxxxx= 4, 5 of 6 digit code followed by #

note : code **920*#** will rest all codes

933x : choice of Wiegand protocol (software V1.7)

where x =1 : rosselare formaat

2 : 6 bit bit nibble (paxton)

3 : 8 bit wiegand (Digit)

4 : 4 keys binary (paxton)

6 : wiegand 26

934RRRGGGBBB : Using RGB colors

At which RRR= red value, GGG= green value, BBB= blue value

Default is blue

all three values can vary from 000 to 255.

ex:

934 255 255 255: white	934 255 000 000: red	934 000 255 000: green
934 255 050 150: pink	934 170 000 220: purple	934 255 050 000: orange
934 000 000 255: blue	934 255 150 000: yellow	

935 : intensity of RGB lighting

XX =00 no lighting

XX= 99 maximum level (default)

999 : enter new programming code (4 digjts) (default= 1996)

For example 9998080 -> the new code to enter the programmation is *8080*

: leave programming mode

Every correct code will be confirmed by two long tones

Every wrong code will be confirmed by three long tones